

NATIONAL TIME offers a complete line of fire alarm audio amplifiers to suit installations of all sizes. Outputs ranging from 50W to 100W and selectable output voltages of either 25V or 70V in the same compact footprint offer versatility like no other. Built-in circuitry produces Temporal, Slow Whoop, and/or Digital Message evacuation signalling. The Digital Message provides a natural voice output with a message length of up to four minutes.

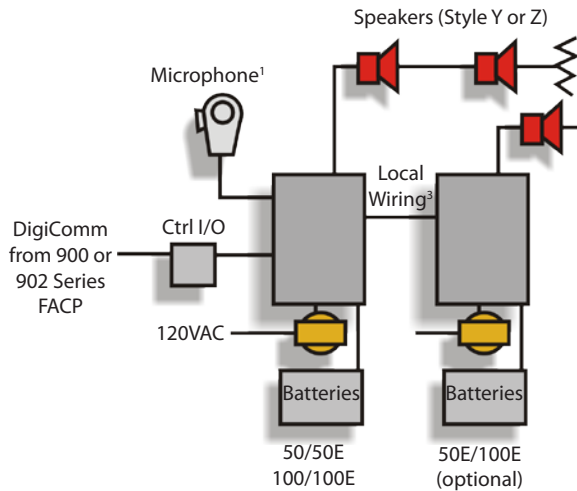
All amplifiers provide style "Y" and "Z" field wire supervision. The high efficiency design allows for the compact packaging and reduced backup battery requirements. The local microphone operation can be expanded to multiple supervised remote microphones at distances to 4000 feet. Easy ribbon cable connection allows multiple amplifiers to share the microphone and digital messaging providing the coverage to satisfy any size installation



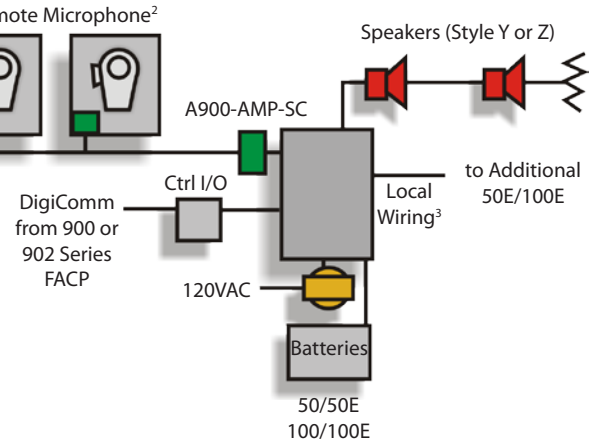
Features:

- 50W and 100W in same compact design
- Selectable 25V or 70V Speaker Output
- Supervised Style Y/Z Output
- Local and Remote Paging Microphone capability
- Digital Recorded Message versions available
- Energy Efficient Design
- U.L. Listed

Typical Layout



Remote Microphone(s)



¹Order appropriate microphone enclosure for FACP enclosure.

²Order appropriate remote microphone enclosure(s) for FACP enclosure.

³Ribbon cable or individual wires <20' internal to enclosure or conduit.

Up to 15 Amplifiers can be cascaded. Batteries sold separately.

Specifications

	50/50E	100/100E
INPUT VOLTAGE:	120VAC @ 60Hz	120VAC @ 60Hz
INPUT CURRENT:	0.8A @ 120VAC	1.4A @ 120VAC
INPUT BATTERY CURRENT:	0.13A Standby 1.0A Alarm	0.18A Standby 2.5A Alarm
OUTPUT POWER:	50 Watt; 25/70 Vrms	100 Watt; 25/70 Vrms
FREQUENCY RESPONSE:	400 - 4000 Hz	400 - 4000 Hz
PHYSICAL DIMENSIONS:	4.5"W x 7.5"L x 3.75"H	4.5"W x 7.5"L x 3.75"H
LESS TRANSFORMER/BATTERIES		

Ordering Information

Part No.	Description
A900-AMP-50	50Watt Amplifier and 120V transformer with Digital Voice Module
A900-AMP-100	100Watt Amplifier and 120V transformer with Digital Voice Module
A900-AMP-50E	50Watt Amplifier and 120V transformer with Temporal/Whoop
A900-AMP-100E	100Watt Amplifier and 120V transformer with Temporal/Whoop
Accessories	
A900-AMP-SC	Remote Microphone Supervisory Card
B-7.5	Set of (2) 7.5AH Batteries
For Microphone systems, order appropriate Microphone enclosure with Fire Alarm Control Panel	