

National's Instant Reset clock joins the TIME WISE™ family of devices – the future of accurate time display for Schools, Hospitals and Industry.

National Time's exclusive Instant Reset clock has been the pinnacle of quality and durability for over a decade. Our timekeeping technology has evolved with your building infrastructure so your investment can be leveraged across multiple systems. Why install and debug a proprietary wireless system when you can use your existing WiFi wireless network? Also, unlike other wireless systems, our WiFi communication can be two-way, providing signal strength mapping at each clock location. Our system can notify you via e-mail or text message if there is a problem with connectivity or an errant clock.

Synchronize all of your clocks to the National Institute of Standards and Technology (NIST) through the internet to get the most accurate time and keep all of your systems - computers, paging, HVAC - displaying the same time.

Installation and setup is easy with National's Ad-Clock™ technology and your choice of network configurations. See Bulletin C-505 for more information.



Industry's Most Powerful Mechanism

Durable Metal Construction

Wall or Ceiling Mounting

Battery-less Backup Timekeeping

No Master Clock Required

No Server Software Required

Leverage Existing WiFi Networks

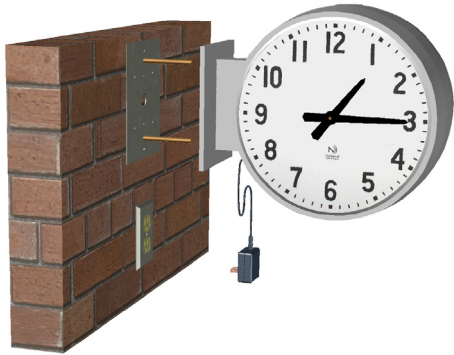
Easy Setup

Compatible with 802.11b/g/n
Networks

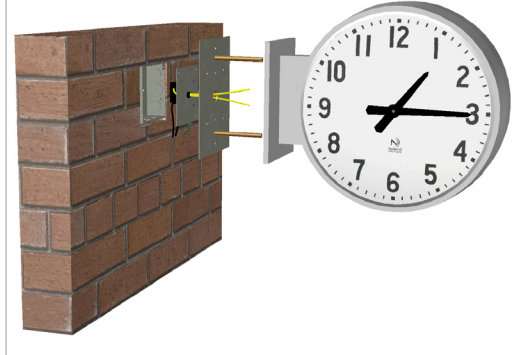
Supports Existing Security Schemes

Compatible with National's
TIME WISE™ Family of Devices

Installation

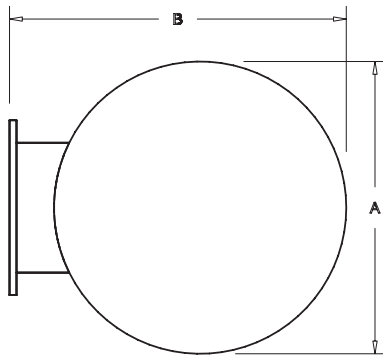


LEFT: Use the Wall Transformer (WT) version when power is from an existing outlet near the clock location. Wire exit above and below mounting bracket is provided.

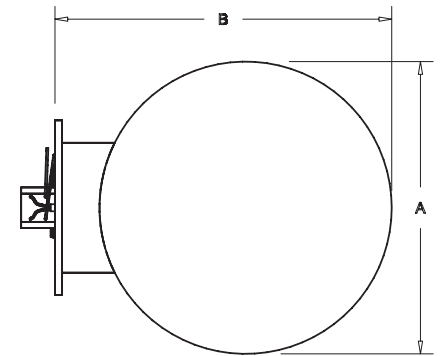


RIGHT: Use the Hard Wire (HW) version when the transformer is hard wired inside an electrical box behind the clock. (Securely mounted Deep 4" Square box.)

Wall Mounting shown. Ceiling Mount is also possible by rotating the clocks on mounting ring.



Clock Size	A	B	C	Width
12"	13.5	15.5	1.0	9.0



Specifications

Input Power: 120VAC 50/60Hz; 0.030A max. (Wall Transformer with 7' cable provided.)

WiFi: 802.11b/g support. TCP/IP; DNS; DHCP; SNTP; TIME; HTTP; FTP protocols supported.

Time Servers: Configure Internet time servers or local SNTP servers.

See TIME WiSE™ Bulletin C-505 for additional configuration information.

Steel Case with Powder Grey Semi-gloss paint.

Shatter-Proof Lens standard (Glass available upon request)

Non-Yellowing Polystyrene dial with black screened numerals and markers

MADE IN
MICHIGAN

Ordering Information

Part No.	Description
DR-12RD-WiFi-WT-SP	12" Round Double Face TIME WiSE™ Instant Reset Clock, Shatter Proof Lens w/ Wall Transformer
DR-12RD-WiFi-HW-SP	12" Round Double Face TIME WiSE™ Instant Reset Clock, Shatter Proof Lens w/ Hard-Wire Transformer
DR-12RD-WiFi-SP	12" Round Double Face TIME WiSE™ Instant Reset Clock, Shatter Proof Lens, 24VAC input