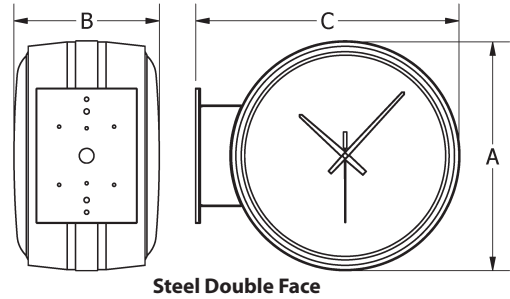
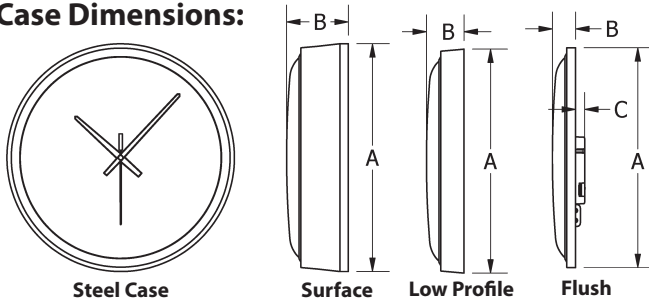


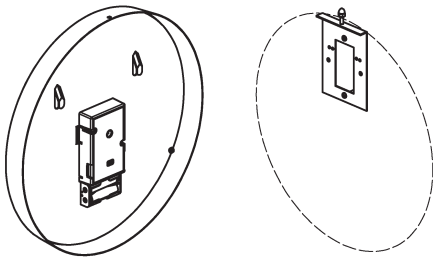
Case Dimensions:



Dial Size	A	B	C
10" Round Steel-Surface	11.65"	3.25"	-
10" Round Steel-Flush	11.13"	1.38"	0.55"
12" Round Steel-Surface	13.50"	3.25"	-
12" Round Steel-Low Profile	13.38"	2.00"	-
12" Round Steel-Flush	13.00"	1.38"	0.55"
12" Square Steel-Surface	12.50"	2.75"	14.50"
16" Round Steel-Surface	16.98"	4.75"	-
16" Round Steel-Flush	16.50"	1.38"	0.55"

Dial Size	A	B	C
10" Round Steel-Double Face	11.65"	8.63"	14.00"
12" Round Steel-Double Face	13.50"	8.63"	16.00"
16" Round Steel-Double Face	16.98"	8.63"	19.00"
12" Square Steel-Double Face	12.50"	8.63"	14.50"

Surface Mounting with Standard Surface Bracket



Case Styles: Surface, Low-Profile

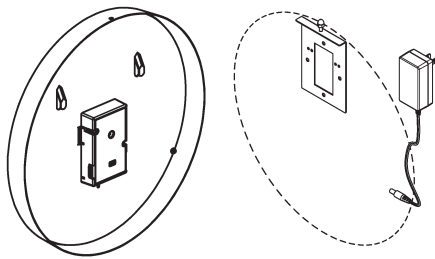
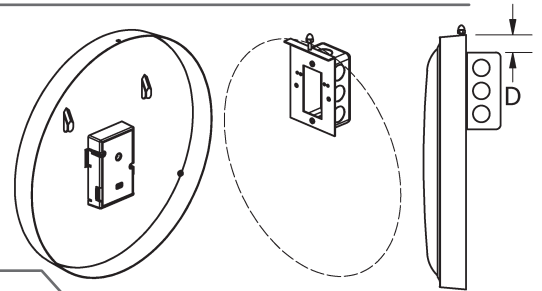
Movement Types: SS-24V or SS-WIFI-2B/4B

Mount the surface bracket to the wall using wall anchors appropriate for the wall construction. Battery powered and low voltage systems may not require an electrical box. Mount the bracket at the desired height for the top of the clock case. Leave a minimum of 4" to the ceiling to allow installation of the acorn nut.

Case Styles: Surface, Low-Profile

Movement Types: SS-120V, SS-24V or SS-WIFI-2B/4B

Mount the surface bracket to the securely mounted single gang or handy electrical box using 6-32 screws. The top of the clock case will be approximately 0.75" above the electrical box. Leave a minimum of 4" to the ceiling to allow installation of the acorn nut. Dimension D=1.0" for all clock sizes.



Case Styles: Surface, Low-Profile

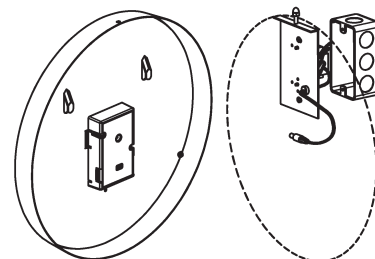
Movement Types: SS-WIFI-WT

Use a standard mounting bracket. The wall transformer with 6' cord plugs into a nearby standard outlet. Notch clock case for desired wire location. Leave a minimum of 4" to the ceiling to allow installation of the acorn nut.

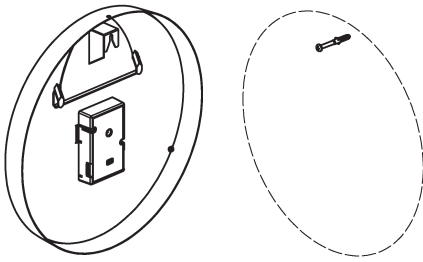
Case Styles: Surface, Low-Profile

Movement Types: SS-WIFI-HW

The mounting plate includes the transformer assembly. Connect the 120VAC wires to the transformer and mount the bracket to a handy box with the transformer inside the box. The plug-in cable will provide 24VAC to power the clock. Leave a minimum of 4" to the ceiling to allow installation of the acorn nut.



Surface Mounting with optional Screw Mount Bracket

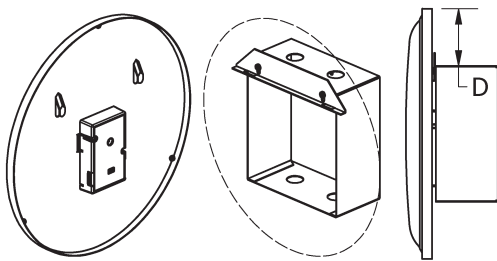


Case Style: Low-Profile

Movement Types: SS-24V or SS-WIFI

Use an appropriate wall anchor for the wall construction and place screw 1" lower than the desired height of the clock case. Mount the bracket at the desired height for the top of the clock case. Leave a minimum of 2" to the ceiling to allow installation of the clock. For 12" Clocks order bracket **LR-12ADAPT-SM**.

Flush Mounting with Standard Flush Bracket



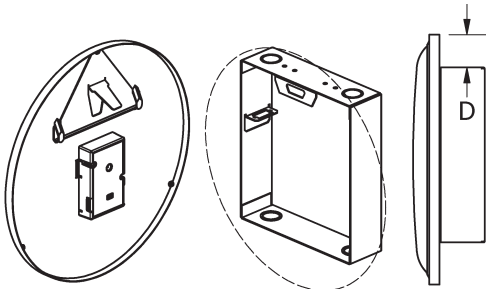
Case Style: Flush

Movement Types: SS-24V ,SS-120V or SS-WIFI

Wall Box: 143

Install the 143 wall box (ordered separately) flush with the wall surface. Box dimensions are 6.5" x 7" x 3.25".
10" clock D=2.0"; 12" clock D=3.25"; 16" clock D=4.75"

Mounting with Existing Wall Boxes with optional Single-Tang Brackets



Case Style: 12" Flush

Movement Types: SS-24V ,SS-120V or SS-WIFI

Wall Box: Simplex, IBM, Lathem, Faraday, Edwards, Standard etc.

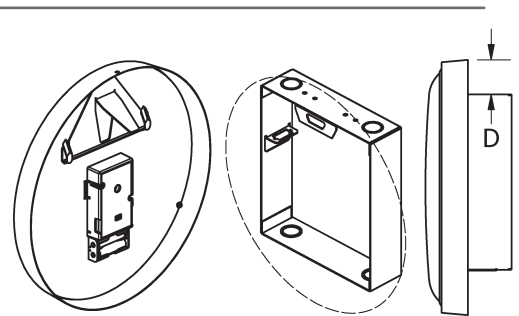
The optional **FR-12ADAPT-ST** will provide the single-tang mounting compatible with other manufacturers wall boxes. 12" clock D=1.75"

Case Style: 12" Low Profile

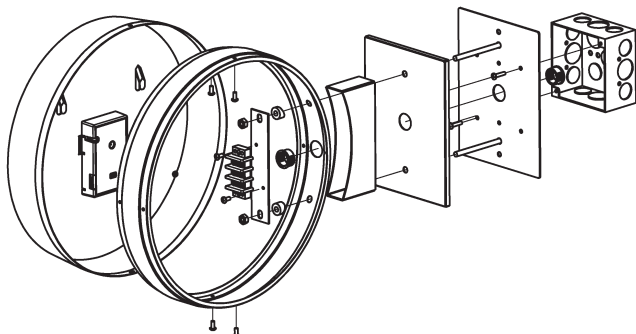
Movement Types: SS-24V, SS-120V or SS-WIFI

Wall Box: Simplex, IBM, Lathem, Faraday, Edwards, Standard etc.

The optional **LR-12ADAPT-ST** will provide the single-tang mounting compatible with other manufacturers wall boxes. 12" clock D=1.75"



Double Face Mounting



Case Style: Double Face

Movement Types: SS-24V, SS-120V or SS-WIFI

Wall Box: 4 Square Electrical Box (by others)

The double face clock assembly mounts to a securely mounted 4 square electrical box. It can be used for wall mount or ceiling mount installations. (The second clock is not shown for clarity of assembly.)